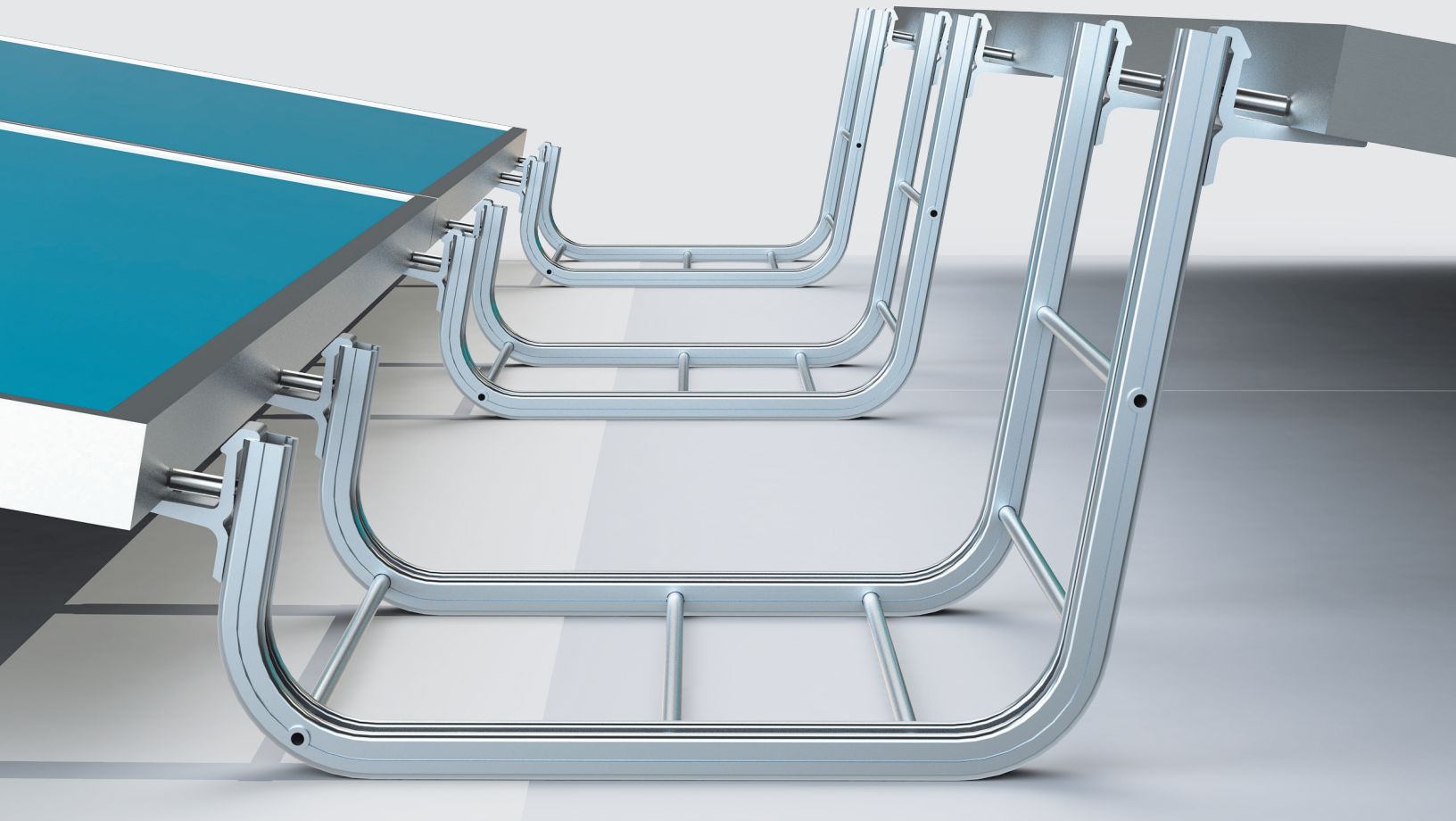


ROOF MOUNT introduces the Power of Simplicity to the ballasted flat roof solar industry. The system consists of only two major components, minimizing preparation work and installation time. Seamlessly design around roof obstacles, support most framed modules and bond the system with just the turn of a wrench. Industry leading installation speed metrics have been verified by a third party, DNV GL.

UL2703 | **BONDING & GROUNDING SYSTEM FIRE CLASSIFICATION**
CLASS A - TYPE 1, 2 & 3 MODULES



FASTEST INSTALLATION • 12 MODULES / MAN HR

SIMPLE DESIGN • AVAILABILITY • DESIGN TOOLS • QUALITY PROVIDER

SIMPLE DESIGN

TWO MAJOR COMPONENTS. ONE TOOL

RM supports most framed PV modules at 10 degree tilt. The component list consists of only two major components – a fully assembled ballast bay and a universal module clip. Our engineers specified a chemical locking hex bolt, providing a UL2703 certified grounding path from module to ballast bay, with just the turn of a wrench. RM is accessory-rich to support your specific installation needs, because it was designed to conveniently work with off the shelf wire management products. A snap into place, membrane-friendly, rubber roof pad is also available as a low-cost option for roof protection.

AVAILABILITY

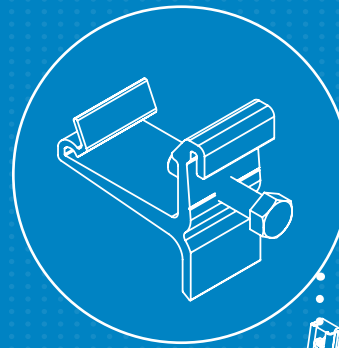
NATIONWIDE NETWORK

Unirac maintains the largest network of stocking distributors for our racking solutions. Our partners have distinguished their level of customer support, availability, and overall value, thereby providing the highest level of service to users of Unirac products. Count on our partners for fast and accurate delivery to meet your project needs. Visit Unirac.com for a list of distributors.

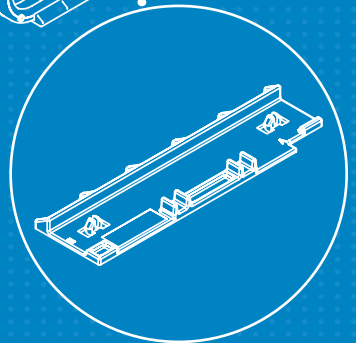
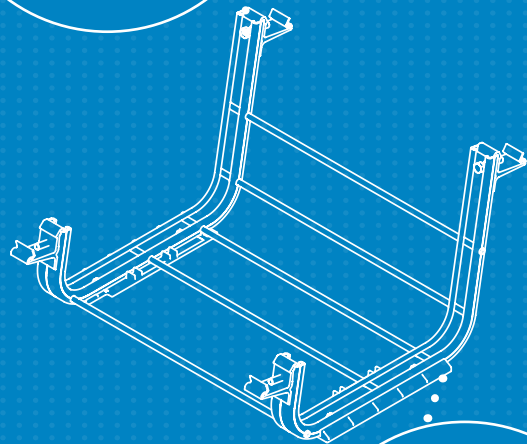
AUTOMATED DESIGN TOOL

DESIGN PLATFORM AT YOUR SERVICE

Creating a bill of materials is just a few clicks away with U-Builder, a powerful online tool that streamlines the process of designing a code compliant solar mounting system. Save time by creating a user profile, and recall preferences and projects automatically when you log in. You will enjoy the ability to share projects with customers; there's no need to print results and send to a distributor, just click and share.



INTEGRATED BONDING CLIP



OPTIONAL ROOF PAD

UNIRAC CUSTOMER SERVICE MEANS THE HIGHEST LEVEL OF PRODUCT SUPPORT

UNMATCHED EXPERIENCE

CERTIFIED QUALITY

ENGINEERING EXCELLENCE

BANKABLE WARRANTY

DESIGN TOOLS

PERMIT DOCUMENTATION

TECHNICAL SUPPORT

Unirac's technical support team is dedicated to answering questions & addressing issues in real time. An online library of documents including engineering reports, stamped letters and technical data sheets greatly simplifies your permitting and project planning process.

CERTIFIED QUALITY PROVIDER

Unirac is the only PV mounting vendor with ISO certifications for 9001:2008, 14001:2004 and OHSAS 18001:2007, which means we deliver the highest standards for fit, form, and function. These certifications demonstrate our excellence and commitment to first class business practices.

BANKABLE WARRANTY

As a Hilti Group Company, Unirac has the financial strength to back our products and reduce your risk. Have peace of mind knowing you are receiving products of exceptional quality. ROOFMOUNT is covered by a 20-year manufacturing warranty on all parts.

PROTECT YOUR REPUTATION WITH QUALITY RACKING SOLUTIONS BACKED BY ENGINEERING EXCELLENCE AND A SUPERIOR SUPPLY CHAIN